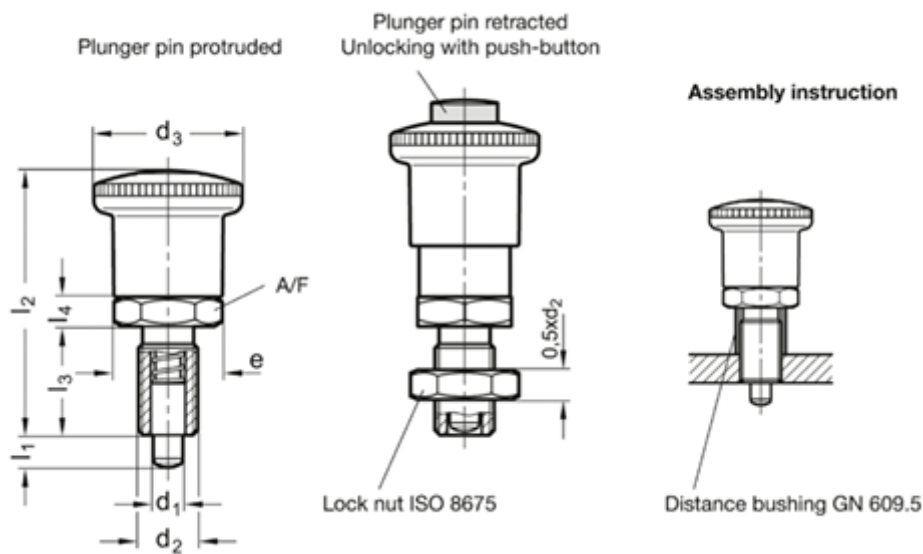


Article number: 2041411012AKNI

Description: E+G Stainless steel safety indexing plungers
GN 414.1-10-12-AK with safety mechanism, without rest position, with lock nut

Measures



A/F	= 38
d1 Pin -0.02/-0.04 Bore H7	= 10
d2	= M 16 x 1.5
d3	= 30
e	= 21.9
l3	= 26
l4	= 8
l1 min.	= 12

l2 ?	= 59.5
Weight in (g)	= 100